

REVISION RECORD				
REV	ECN	DESCRIPTION	DRFT	DATE

NOTES1:

UL Standard

1. Rated voltage/current : 300V / 20A
2. Withstanding voltage : AC1600V/1Min.
3. Wire range : 28~12AWG

IEC Standard

1.

Pollution Degree	2	2	3
Overvoltage Category	II	III	III
Rate Impulse Voltage(KV)	6.0KV	6.0KV	6.0KV
Rate Voltage(V)	1000V	630V	500V
Rate Current(A)	32A		

2. Wire range : 0.2~4.0mm²

NOTES2:

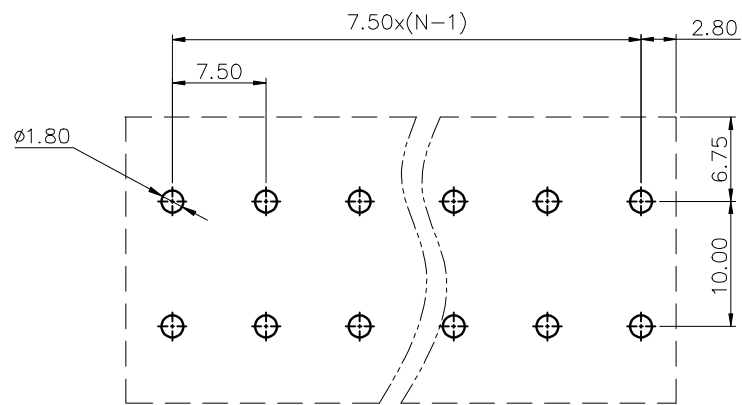
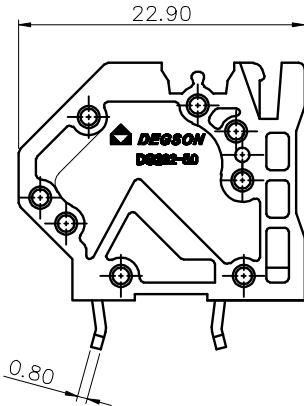
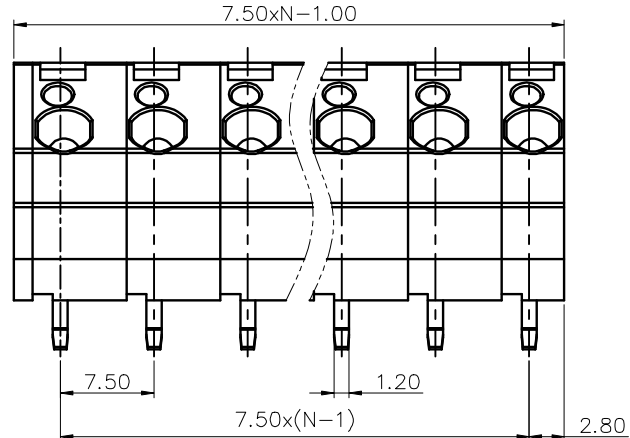
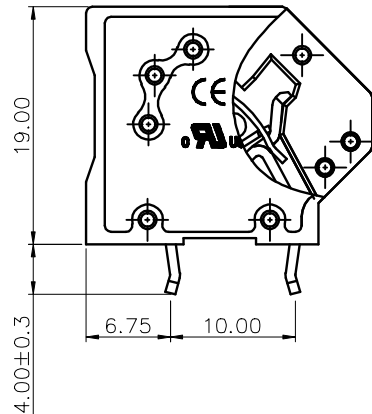
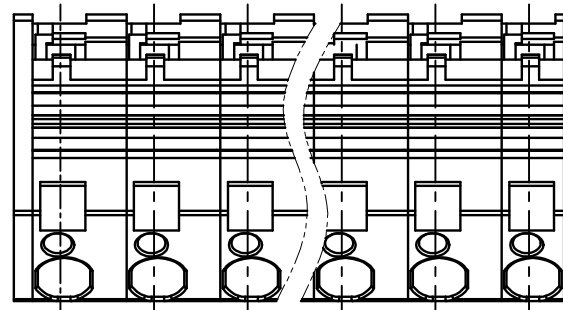
1. Dimension shall be interpreted per ASME Y14.5-2009
2. Pitch : 7.50mm, Poles : N=01~XXP
3. Stripping length : 8~9mm
4. Operating temperature : -40°C~+105°C
5. Undimensioned tolerances:

Pitch range in mm			Nominal dimension range in mm					-	∩	□
TO	Over	TO	TO	Over	TO	Over	TO	TO	TO	
6	6	10	30	60	100	150	0.1/10			
10	10	24	30	60	100	150	<			
			±0.15	±0.20	±0.30	±0.30	±0.50	±0.70	±1.00	±1.30
			±2'							

6. RoHS Compliance

DG262 - 7.5 - XXP - 1Y - 00A (H)

(Series No.) (Pitch) (Poles) (Single Pitch) (Color): 1.(Grey) (RoHS)
 2.(Blue)
 3.(Black)
 4.(Green)
 5.(Orange)
 6.(Red)
 7.(Transparent)
 8.(Yellow)
 9.(White)
 00A-(Standard)



PCB LAYOUT

DETACHED LISTS	PART NO.:	NINGBO DEGSON ELECTRICAL CO., LTD			
	APPD:	NAME: DG262-7.5-XXP-1Y-00A(H)			
	CHKD:	TITLE: CUSTOMER DRAWING			
	DRFT:	DRAWING NO.:		REV	DO
THIRD ANGLE PROJECTION		MM (INCH)	DO NOT SCALE DRAWING	SHEET 1/1	SCALE 1:1