

REVISION RECORD				
REV	ECN	DESCRIPTION	DRFT	DATE

NOTES1:

UL Standard

1.Rated voltage/current : 300V / 3A

3.Wire range : 16AWG

IEC Standard

1.Rated voltage/current : 250V / 5A

3.Wire range : 0.2~0.75mm²

NOTES2:

1.Dimension shall be interpreted per ASME Y14.5-2009

2.Pitch : 4.57mm, Poles : N=03~10P

3.Stripping length : 8mm

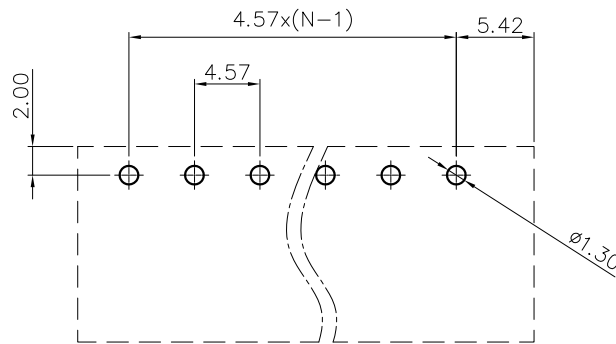
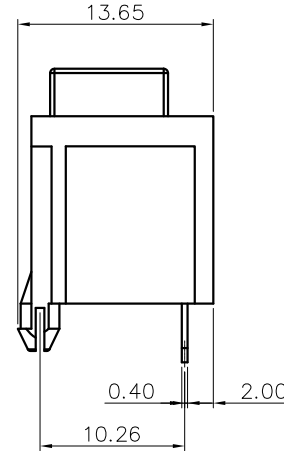
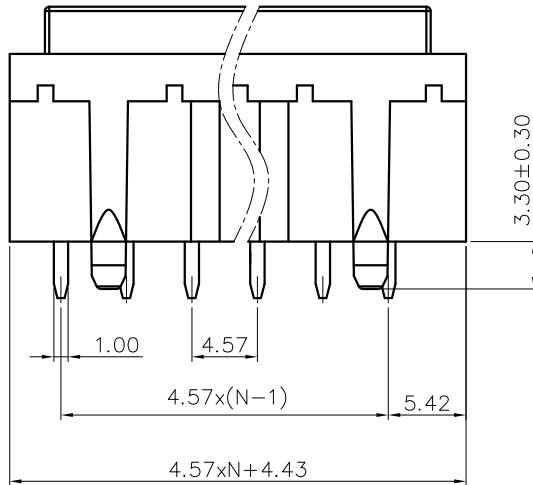
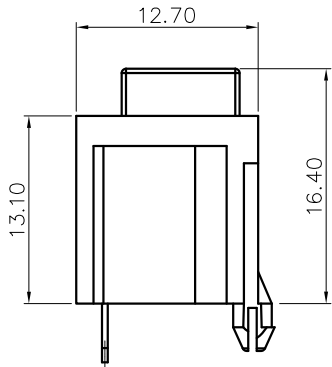
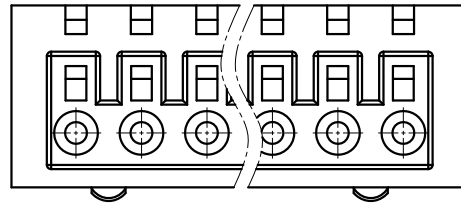
4.Withstanding voltage : AC2200V/1Min

5.Operating temperature: -40°C~+105°C

6.Undimensioned tolerances:

Pitch range in mm		Nominal dimension range in mm						0.1/10
TO	Over	TO	Over	TO	Over	TO	Over	≤
6	10	24	30	60	100	150	150	
±0.15	±0.20	±0.30	±0.30	±0.50	±0.70	±1.00	±1.30	±2'

7.RoHS Compliance



PCB LAYOUT

DG295 - 4.57 - XXP - 1Y - 00A (H)
 (Series No.) (Pitch) (Poles) (Single Pitch) (Color): 1.(Grey)
 2.(Blue)
 3.(Black)
 4.(Green)
 5.(Orange)
 6.(Red)
 7.(Transparent)
 8.(Yellow)
 9.(White)
 (RoHS)
 00A-(Standard)

DETACHED LISTS	PART NO.:	NINGBO DEGSON ELECTRICAL CO., LTD			
	APPD:	NAME: DG295-4.57-XXP-1Y-00A(H)			
	CHKD:	TITLE: CUSTOMER DRAWING			
	DRFT:	DRAWING NO.:		REV	DO
THIRD ANGLE PROJECTION		MM (INCH)		SHEET	1/1
		DO NOT SCALE DRAWING		SCALE	1:1