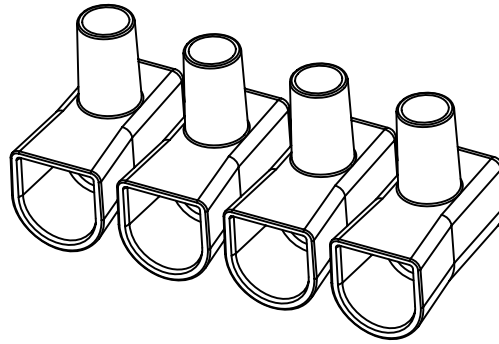
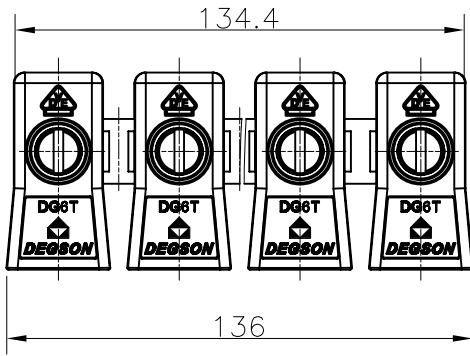
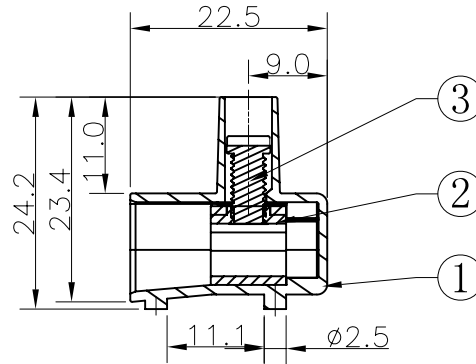
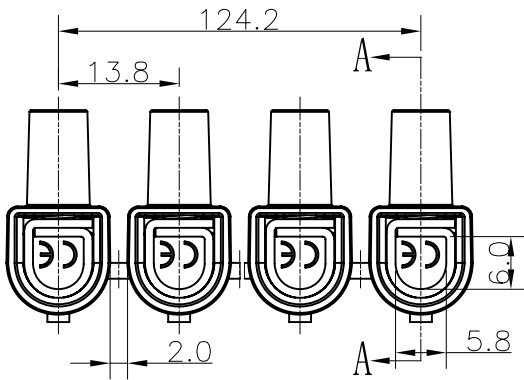


REVISION RECORD				
REV	ECN	DESCRIPTION	DRFT	DATE

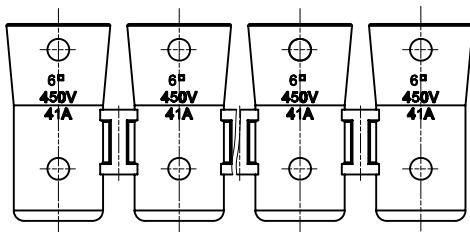


Notes:

1. Pitch:13.8, Ploes:10P
2. Rated voltage/Current:VDE 450V 41A
3. Operation temperatures:-40°C~+85°C
4. Withstanding Voltage:AC3000V/1Min
5. Insulation Resistance:5000MΩ /DC1000V
6. Wire Range:2x(1.5-6)mm<sup>2</sup>
7. Max. Torque Value:M4.0,  
12.24Kgf.cm(10.53Lb.in)



Section A-A



ITEM	NAME OF PART	NO. OF PART	Q'TY	MATERIAL	NOTES																					
1	DG6T-Housing	2043A0710A (H)	1	PC	UL94V-2																					
<table border="1"> <tr> <td>← MM (INCH) →</td> <td>DFTO <i>Apple</i></td> <td>DATE 07/22/09*</td> </tr> <tr> <td>TOLERANCES EXCEPT AS NOTED</td> <td>CHKD</td> <td>DATE</td> </tr> <tr> <td></td> <td>MFO</td> <td>DATE</td> </tr> <tr> <td></td> <td>APPVL</td> <td>DATE</td> </tr> <tr> <td></td> <td>MATERIAL :</td> <td></td> </tr> <tr> <td></td> <td>G.E :</td> <td></td> </tr> <tr> <td></td> <td>FINISH :</td> <td></td> </tr> </table>		← MM (INCH) →	DFTO <i>Apple</i>	DATE 07/22/09*	TOLERANCES EXCEPT AS NOTED	CHKD	DATE		MFO	DATE		APPVL	DATE		MATERIAL :			G.E :			FINISH :		<p style="text-align: center;"><b>DEGSON</b>® 宁波高正电子有限公司 DEGSON ELECTRONICS CO., LTD</p> <p style="text-align: center;">NAME <b>DG6T-10P-17-100A (H)</b></p>			
← MM (INCH) →	DFTO <i>Apple</i>	DATE 07/22/09*																								
TOLERANCES EXCEPT AS NOTED	CHKD	DATE																								
	MFO	DATE																								
	APPVL	DATE																								
	MATERIAL :																									
	G.E :																									
	FINISH :																									
<table border="1"> <tr> <td>DETACHED LISTS</td> <td>MM</td> <td></td> </tr> <tr> <td></td> <td>0-30 ±0.25</td> <td>±</td> </tr> <tr> <td></td> <td>30-60 ±0.3</td> <td>±</td> </tr> <tr> <td></td> <td>60-100 ±0.5</td> <td>±</td> </tr> <tr> <td></td> <td>100-150 ±0.7</td> <td>±</td> </tr> <tr> <td></td> <td>over150 ±1.0</td> <td>±</td> </tr> <tr> <td></td> <td>ANGLES ± 1°</td> <td></td> </tr> </table>		DETACHED LISTS	MM			0-30 ±0.25	±		30-60 ±0.3	±		60-100 ±0.5	±		100-150 ±0.7	±		over150 ±1.0	±		ANGLES ± 1°		DRAWING NO. DG6T-E02		SIZE A4	REV TO 03/09/10*
DETACHED LISTS	MM																									
	0-30 ±0.25	±																								
	30-60 ±0.3	±																								
	60-100 ±0.5	±																								
	100-150 ±0.7	±																								
	over150 ±1.0	±																								
	ANGLES ± 1°																									
THIRD ANGLE PROJECTION		SCALE : 1:1		DO NOT SCALE DRAWING																						
			SHEET 1	OF 1																						

3	DG4T"-Screw	S000004150 (H)	10	Steel	Cr <sup>3+</sup> Zn
2	DG6T-Current carrier	X000003560 (H)	10	Steel	Cr <sup>3+</sup> Zn