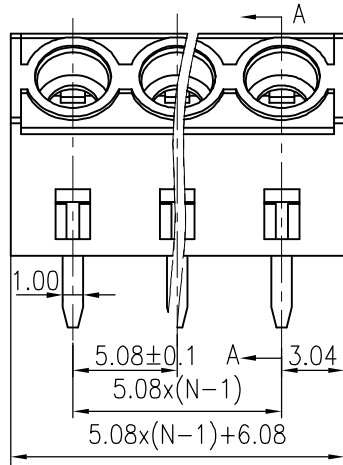
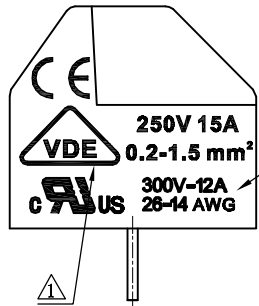


REVISION RECORD				
REV	ECO	DESCRIPTION	DRFT	DATE
△	09-0118	增加VDE刻字及参数	GHY	11-24-09*
△	09-0129	增加UL刻字及参数	lasting	04-13-10*
△	10-0281	避专利结构变更	Jordan.Y	09-01-10*

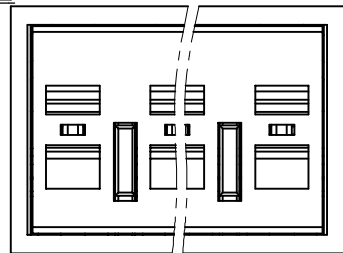
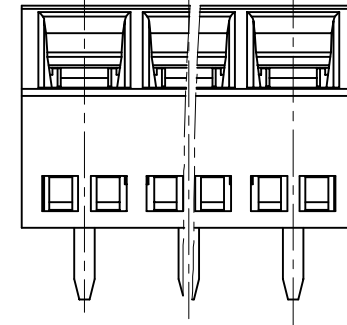
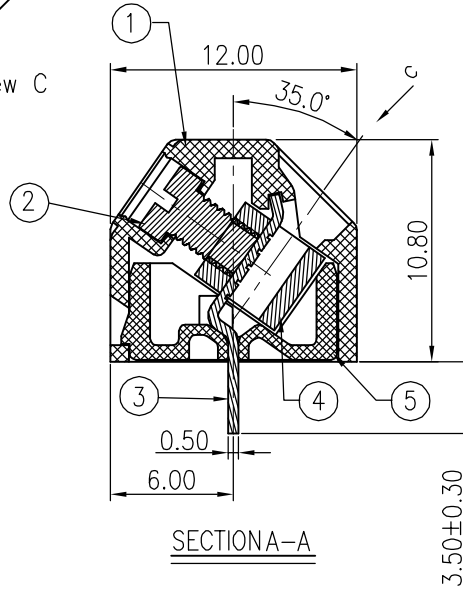
Notes:

- Pitch: 5.08mm, Poles: 2-16P
- Rated voltage/current: UL 300V/12A
VDE 250V/15A
- Operation temperatures: -40°C ~ +105°C
- Withstanding Voltage: AC2000V/1Min
- Insulation Resistance: 5000MΩ / DC1000V
- Wire Range: 26-14AWG, 1.5mm²
- Max. Torque Value: M2.5, 4.08kgf.cm
- Undimensioned Tolerances:

Pitch range in mm		Nominal dimension range in mm							
to	over	to	to	to	to				
6	6 to 10	10	30 to 60	60 to 100	100 to 150	∩			
6	10 to 24	30 to 60	60 to 100	100 to 150	150 to 300	∇			
	±0.10	±0.15	±0.25	±0.2	±0.3	±0.5	±0.7	±1.0	0.05/0.1



B



B 向

5	DG127S-5.08-Cover	4141COYXXA (H)	1	PA66	UL94V-0
4	DG127 Cage	X000000170 (H)	XX	Brass	Ni plated
3	DG127S-5.08-Pin	4141B00010 (H)	XX	Phosphor bronze	SnCe plated
2	DG127 "—"Screws	S000001450 (H)	XX	Steel	C [*] Zn

ITEM	NAME OF PART	NO. OF PART	Q'TY	MATERIAL	NOTES
1	DG127S-5.08-座	4141AOYXXA (H)	1	PA66	UL94V-0

DETAILED LIST	MM (INCH)	DFTO Zhwm	DATE 11/05/08
TOLERANCES EXCEPT AS NOTED	CHKD	DATE	
	MFO	DATE	
	APPVL	DATE	
MM			
.0 ±	±		
.00 ±	±		
.000 ±	±		
ANGLES ± 1°	G.E :		
	FINISH :		
THIRD ANGLE PROJECTION	SCALE :		

宁波高正电子有限公司 DEGSON ELECTRONICS CO., LTD	
NAME DG127S-5.08-XXP-1Y-00A (H)	
DRAWING NO. DG127S-5.08-E01	SIZE A3
/PART NO.	REV T3
DO NOT SCALE DRAWING	19/01/10*
SHEET 1	OF 1