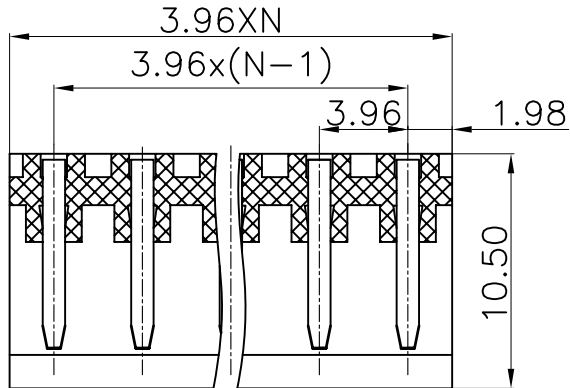


REVISION RECORD				
REV	ECO	DESCRIPTION	DRFT	DATE
2		Drawing emend	Home	04/17/06
3		增加环保标示	Ye j	10/30/07
4		更换焊脚, 修改出脚尺寸	WLM	09/24/08

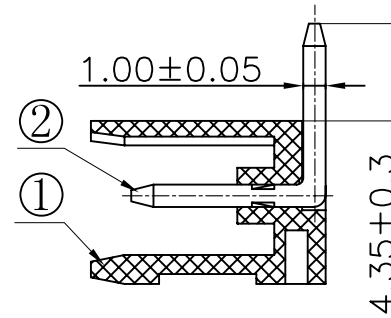
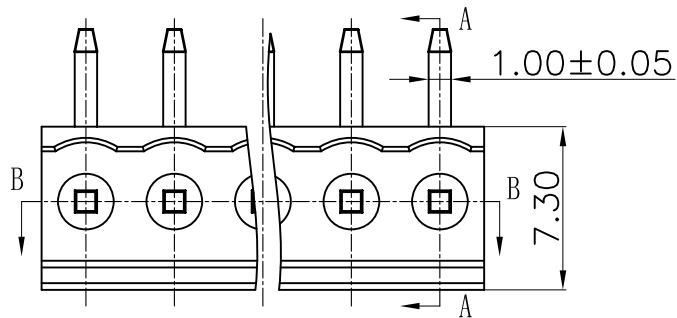
Notes

1. Pitch: 3.96mm, Poles: 2-24p
2. Rated voltage/current: UL 150V/12A
IEC 300V/20A
3. Operation temperatures: -40° C ~ +105° C
4. Withstanding voltage: AC2000V/1Min
5. Insulation resistance: 5000MΩ/DC1000V
6. Undimensioned Tolerances:

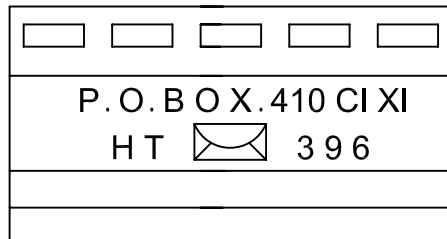
Pitch range in mm		Nominal dimension range in mm						—
	over 6	over 10		over 30	over 60	over 100	over 150	∩
to 6	to 10	to 24	to 30	to 60	to 100	to 150		◇
±0.10	±0.15	±0.25	±0.2	±0.3	±0.5	±0.7	±1.0	0.05/10



SECTION B-B



截面 A-A



2	2EDGR-Pin header	△ 1008B00040 (H)	XX	Brass	SnCe
1	HT396R-3.96 housing	1013A0YXXA (H)	I	PA66	UL94V-0
ITEM	NAME OF PART	NO. OF PART	Q"TY	MATERIAL	NOTES
DETACHED LISTS	MM (INCH)	DFTO Zhuwm	DATE 01/11/05	宁波高正电子有限公司 DEGSON ELECTRONICS CO., LTD NAME HT396R-3.96-XXP-1Y-00A(H) DRAWING NO. HT396R-E03 /PART NO. SCALE: 1:1 DO NOT SCALE DRAWING SHEET 1 OF 1	
	TOLERANCES EXCEPT AS NOTED	CHKD	DATE		
		MFO	DATE		
		APPVL	DATE		
		MATERIAL :			
	ANGLES ± 1°	G.E :		SIZE A3	REV T4 09/24/08
	THIRD ANGLE PROJECTION	FINISH :			