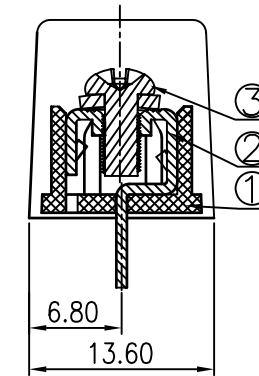
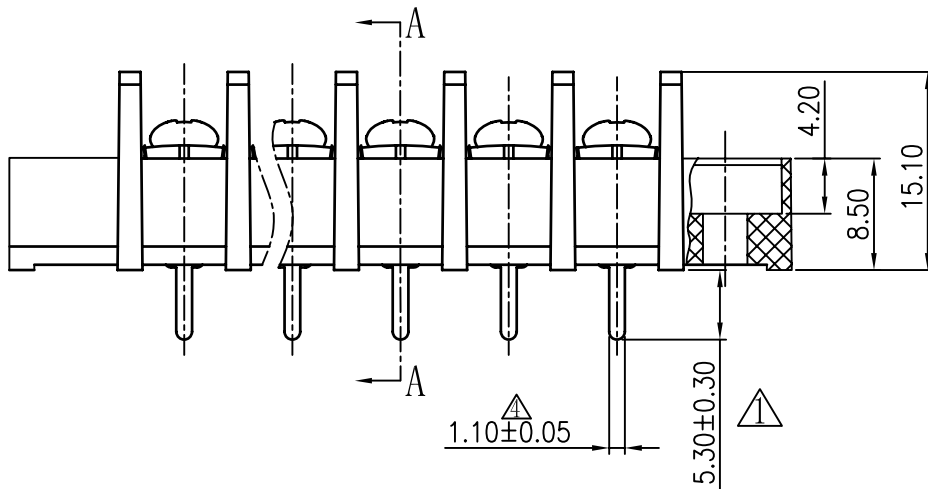
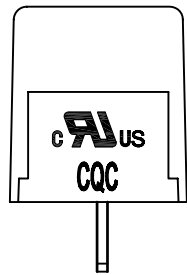
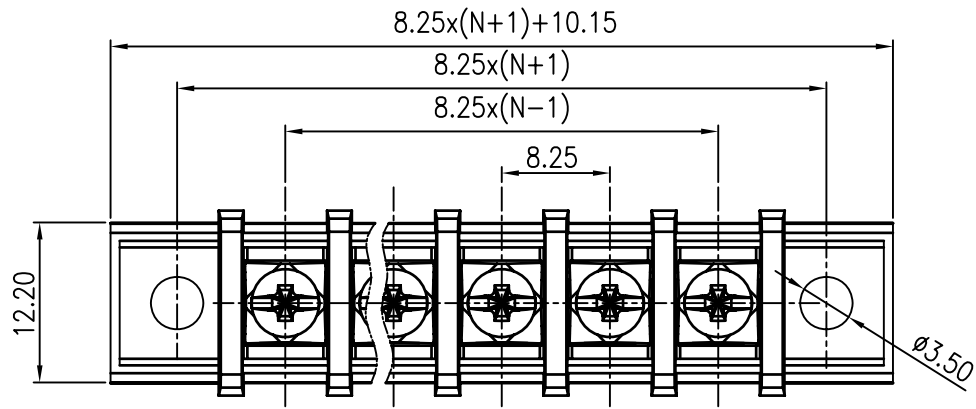
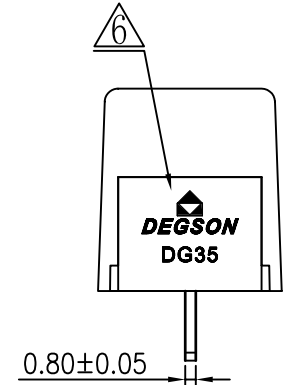


REVISION RECORD					
REV	ECO	DESCRIPTION	DRFT	DATE	
△		出图尺寸依实物及理论值由原规格书的5.6±0.1改为5.3±0.3	CSX	06/07/05	
△		图面整理	CSX	12/23/05	
△		增加U1刻字	CSX	06/05/06	
△		修改脚宽	CSX	09/21/06	
△		品名、料号增加环保标识“00”	Ye j	12/08/07	
△		工程变更, 商标品名改到侧面	LJH	09/03/08	



SECTION A-A



NOTES:

1. Pitch: 8.25mm, Poles: 2P-24P
2. Rated voltage/current: UL1059 300V/20A  
IEC 450V/32A
3. Operation temperatures: -40° C ~ +105° C
4. Withstanding Voltage: AC2000V/1Min
5. Insulation Resistance: 500MΩ/DC500V
6. Wire Range: 22~12AWG, 4.0mm<sup>2</sup>
7. Max. Torque Value: M3, 5.10Kgf.cm
8. Undimensioned Tolerances:

Pitch range in mm			Nominal dimension range in mm						
	over 6	over 10		over 30	over 60	over 100	over 150	○	
to 6	to 10	to 24	to 30	to 60	to 100	to 150		□	
±0.10	±0.15	±0.25	±0.2	±0.3	±0.5	±0.7	±1.0	0.05/10	

3	3*6 bright-Screw	S000000450 (H)	XX	Steel	Ni Plated
2	DG25C-Pin Header	5001B00010 (H)	XX	Brass	SnCe
1	DG35C-A-Housing	5002M0YXXA (H)	1	PA66	UL94V-0
ITEM	NAME OF PART	NO. OF PART	Q'TY	MATERIAL	NOTES

DETACHED LISTS	MM (INCH)	DFTO Zhuwm	DATE 03/03/04"	宁波高正电子有限公司 DEGSON ELECTRONICS CO., LTD	
	TOLERANCES EXCEPT AS NOTED	CHKD	DATE		
		MFO	DATE		
		APPL	DATE		
	MM	MATERIAL :		NAME	
	.0 ±			DG35C-A-XXP-1Y-00A (H)	
	.00 ±			DRAWING NO. DG35C-E03	
	.000 ±			/PART NO.	
	ANGLES ± 1°	G.E :		SIZE A3	REV T6
	THIRD ANGLE PROJECTION	FINISH :		99/03/08"	
		SCALE : 1:1		DO NOT SCALE DRAWING	SHEET 1 OF 1