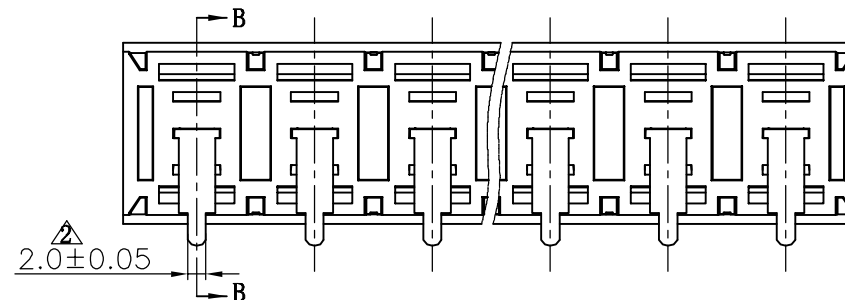
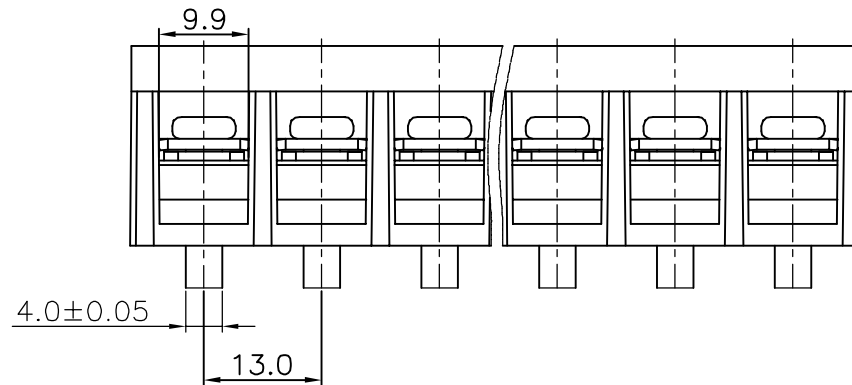
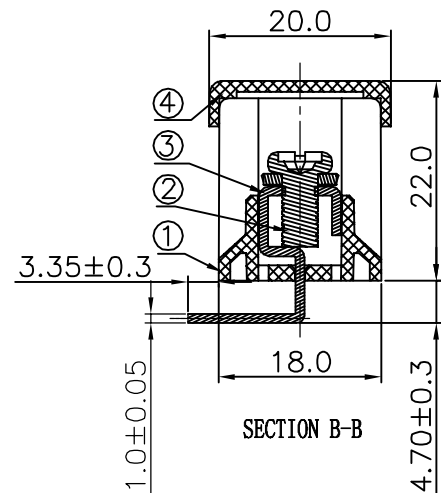
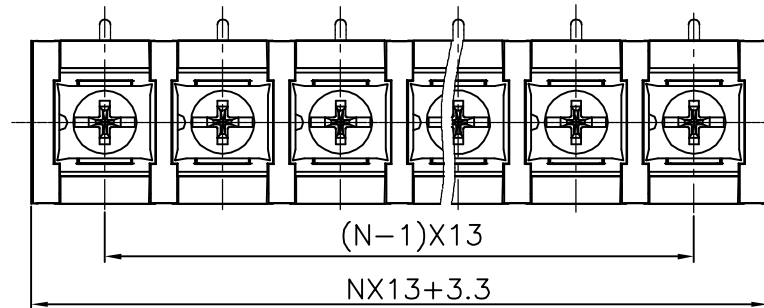


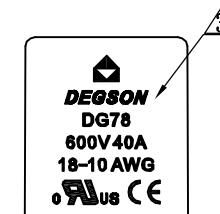
REVISION RECORD				
REV	ECO	DESCRIPTION	DRFT	DATE
△		25%GF更改为23%GF	CSX	03/24/06
△		脚宽由1.2变更为2.0	CSX	08/15/06
△		增加UL刻字	CSX	04/17/06
△		品名、料号增加环保标识“00”	YeJ	12/08/07



Notes:

1. Pitch:13mm , Poles:2-20P
2. Rated current:40A
3. Rated voltage:600V
4. Operation temperatures:-30° C~+120° C
5. Insulation Withstand Voltage:AC2000V/1min
6. Insulation Resistance:1000MΩ /DC500V
7. Wire Range:18~10AWG
8. Max. Torque Value:12. 24kgf. cm
9. Undimensioned Tolerances:

Pitch range in mm		Nominal dimension range in mm				
to	over	to	over	to	over	to
6	10	30	60	100	150	∩
to	to	to	to	to	to	∇
6	10	30	60	100	150	
±0.10	±0.15	±0.25	±0.2	±0.3	±0.5	±0.7
						±1.0



4	DG78-Cover	5034C07XXA (H)	1	PC	
3	DG78R Pin header	5009B00050 (H)	XX	Brass	SnCe plated
2	M4*8 (8*10) bright Screws	S000000510 (H)	XX	Steel	Ni plated

1	DG78 Housing	5034A0YXXA (H)	1	PA66+23%GF	UL94V-0	
ITEM	NAME OF PART	NO. OF PART	Q'TY	MATERIAL	NOTES	
DETACHED LISTS	MM (INCH)	DFTO Zhuwm	DATE 01/13/06"	宁波高正电子有限公司 DEGSON ELECTRONICS CO., LTD NAME DG78R-B-XXP-1Y-00A(H) DRAWING NO. DG78R-E02 /PART NO.		
	TOLERANCES EXCEPT AS NOTED		CHKD			DATE
	MM	±	MFO			DATE
	.0 ±	±	APPVL			DATE
	.00 ±	±	MATERIAL :			
.000 ±	±	G.E :		SIZE	REV	
ANGLES ± 1°		FINISH :		A3	T4	
THIRD ANGLE PROJECTION		SCALE : 1:1		DO NOT SCALE DRAWING	12/08/07	
				SHEET 1	OF 1	