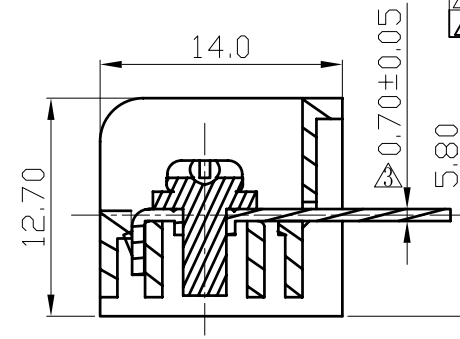
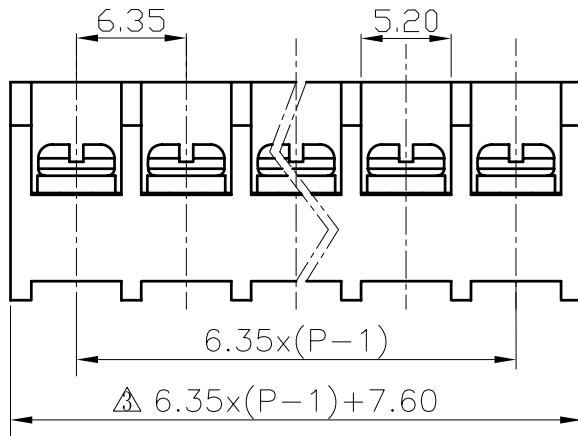


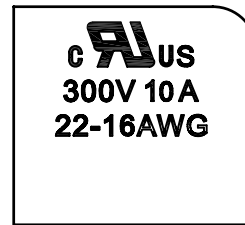
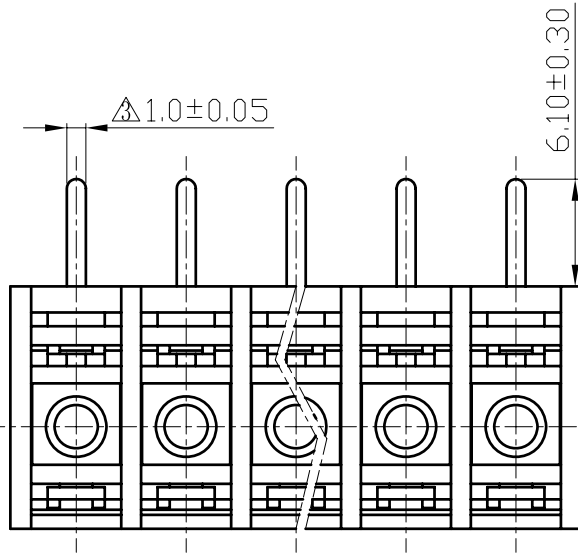
REVISION RECORD					
REV	ECO	DESCRIPTION	DRFT	DATE	
1		尺寸6.10±0.10变更为6.10±0.30	LIUM	06/30/05"	
2		产品名称由DG16B变更为DG16R	WF	01/14/06"	
3		尺寸变更	WF	07/09/06"	
4		增加UL刻字	CSX	04/25/07"	
5		品名、料号增加环保标识“00”	YeJ	12/08/07"	



NOTES:

1. Pitch:6.35mm, Poles:2P-25P;
2. Rated: 300V/10A;
3. Temp. Range: -40° C ~+105° C;
4. Withstand Voltage: AC2000V/1min;
5. Wire Range: 22-16AWG;
6. Insulation Resistance: 500MΩ/DC500V;
7. Max. Torque Value: 4.08Kgf.cm.
8. Undimensioned Tolerances:

Pitch range in mm		Nominal dimension range in mm					
to	over	to	over	to	over	to	over
6	10	10	30	30	60	100	150
10	24	24	30	60	100	150	150
±0.10	±0.15	±0.25	±0.2	±0.3	±0.5	±0.7	±1.0
							0.05/0.10



3	DG16R level Pin header	5010B00030(H)	XX	Brass	SnCe
2	2.5*6 (4*6) "十一"bright Screws	S000000700(H)	XX	Steel	Ni plated

1	DG16R-B-Housing	5010A0YXXA(H)	1	PA66	UL94V-0
ITEM	NAME OF PART	NO. OF PART	Q"TY	MATERIAL	NOTES
DETACHED LISTS	MM (INCH)	DFTD YJT	DATE 03/19/04"	宁波高正电子有限公司 DEGSON ELECTRONICS CO., LTD NAME DG16R-B-XXP-1Y-00A(H) DRAWING NO. DG16R-E01 /PART NO. SIZE A3 REV T5 12/08/07"	
	TOLERANCES EXCEPT AS NOTED	CHKD	DATE		
		MFD	DATE		
		APPVL	DATE		
		MATERIAL :			
	ANGLES ± 1°	G.E :		DO NOT SCALE DRAWING	SHEET 1 OF 1
	THIRD ANGLE PROJECTION	FINISH:		SCALE :	