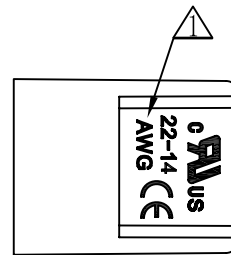
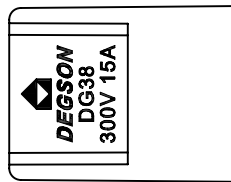
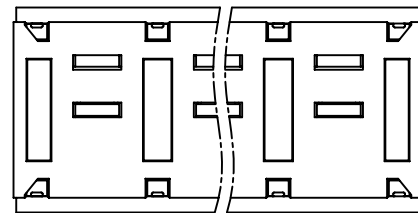
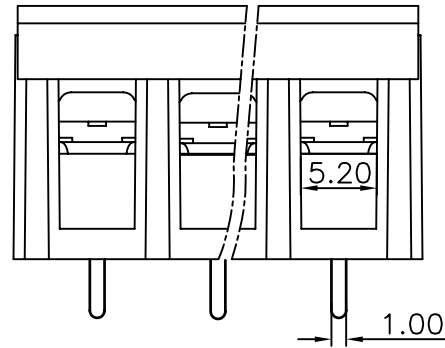
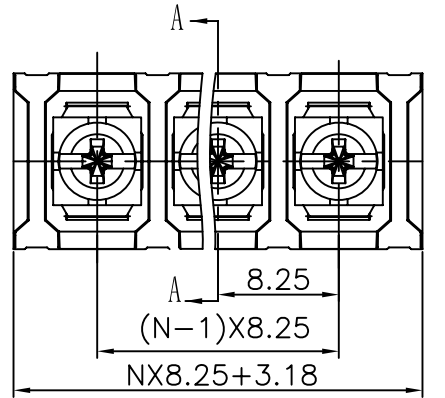
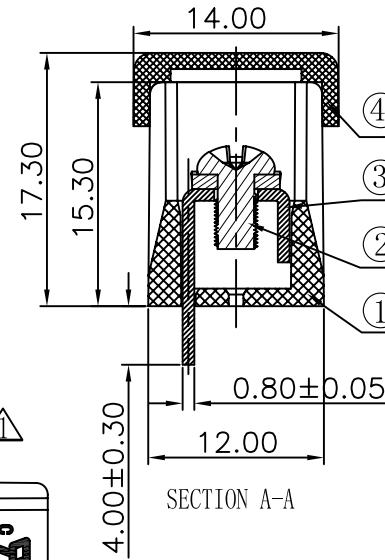


REVISION RECORD				
REV	ECO	DESCRIPTION	DRFT	DATE
△		增加UL刻字	CSX	03/13/07
△		品名、料号增加环保标识“(0)”	YeJ	12/08/07



Notes:

1. Pitch: 8.25mm , Poles: 2-26P
2. Rated current: 15A
3. Rated voltage: 300V
4. Operation temperatures: -40° C ~ +105° C
5. Insulation Withstand Voltage: AC2000V/Min
6. Insulation Resistance: 500MΩ /DC500V
7. Wire Range: 22~14AWG
8. Max. Torque Value: 5.1kgf.cm
9. Undimensioned Tolerances:



Pitch range in mm		Nominal dimension range in mm										
to	over	to	over	to	over	to	over					
6	6	10	10	30	30	60	60	100	100	150	150	∩
±0.10	±0.15	±0.25	±0.2	±0.3	±0.5	±0.7	±1.0	±1.0	±1.0	±1.0	±1.0	∇

4	DG38-Cover	5050C07XXA (H)	1	PC	
3	DG28S Pin header	5006B00040 (H)	XX	Brass	SnCe plated
2	M3*6 (6*6) bright Screws	S000000450 (H)	XX	Steel	Ni plated

1	DG38-B housing	5050A0YXXA (H)	1	PA66+23%GF	UL94V-0																
ITEM	NAME OF PART	NO. OF PART	Q'TY	MATERIAL	NOTES																
<table border="1"> <thead> <tr> <th>MM (INCH)</th> <th>TOLERANCES EXCEPT AS NOTED</th> </tr> </thead> <tbody> <tr> <td>.0 ±</td> <td>±</td> </tr> <tr> <td>.00 ±</td> <td>±</td> </tr> <tr> <td>.000 ±</td> <td>±</td> </tr> </tbody> </table>		MM (INCH)	TOLERANCES EXCEPT AS NOTED	.0 ±	±	.00 ±	±	.000 ±	±	<table border="1"> <thead> <tr> <th>DFTO Zhuwm</th> <th>DATE 12/28/05</th> </tr> </thead> <tbody> <tr> <td>CHKD</td> <td>DATE</td> </tr> <tr> <td>MFO</td> <td>DATE</td> </tr> <tr> <td>APPVL</td> <td>DATE</td> </tr> </tbody> </table>		DFTO Zhuwm	DATE 12/28/05	CHKD	DATE	MFO	DATE	APPVL	DATE	<p>DEGSON® 宁波高正电子有限公司 DEGSON ELECTRONICS CO., LTD</p>	
MM (INCH)	TOLERANCES EXCEPT AS NOTED																				
.0 ±	±																				
.00 ±	±																				
.000 ±	±																				
DFTO Zhuwm	DATE 12/28/05																				
CHKD	DATE																				
MFO	DATE																				
APPVL	DATE																				
<table border="1"> <thead> <tr> <th>ANGLES ± 1°</th> <th>G.E :</th> </tr> </thead> <tbody> <tr> <td></td> <td></td> </tr> </tbody> </table>		ANGLES ± 1°	G.E :			<p>NAME DG38S-B-XXP-1Y-00A (H)</p>		<table border="1"> <thead> <tr> <th>SIZE</th> <th>REV</th> </tr> </thead> <tbody> <tr> <td>A3</td> <td>T2</td> </tr> </tbody> </table>	SIZE	REV	A3	T2									
ANGLES ± 1°	G.E :																				
SIZE	REV																				
A3	T2																				
<table border="1"> <thead> <tr> <th>THIRD ANGLE PROJECTION</th> <th>SCALE : 1:1</th> </tr> </thead> <tbody> <tr> <td></td> <td></td> </tr> </tbody> </table>		THIRD ANGLE PROJECTION	SCALE : 1:1			<p>FINISH :</p>		<p>DRAWING NO. DG38S-E02</p>													
THIRD ANGLE PROJECTION	SCALE : 1:1																				
<p>DO NOT SCALE DRAWING</p>		<p>SHEET 1 OF 1</p>		<p>7/PART NO.</p>																	