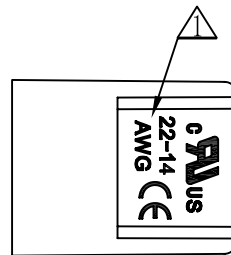
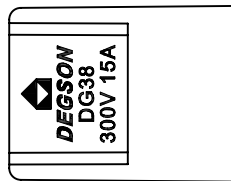
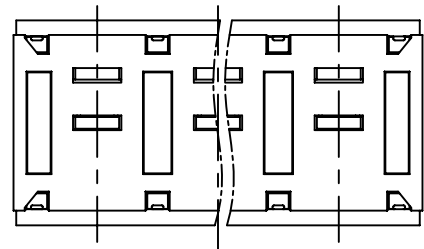
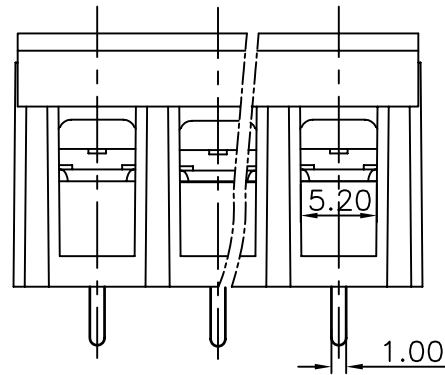
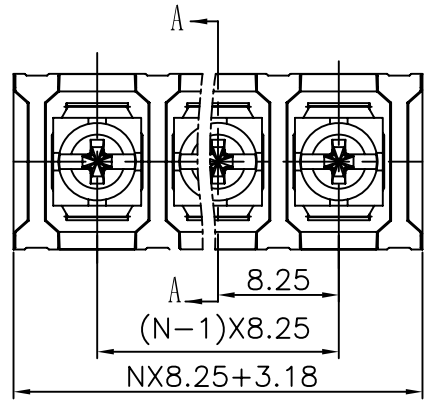
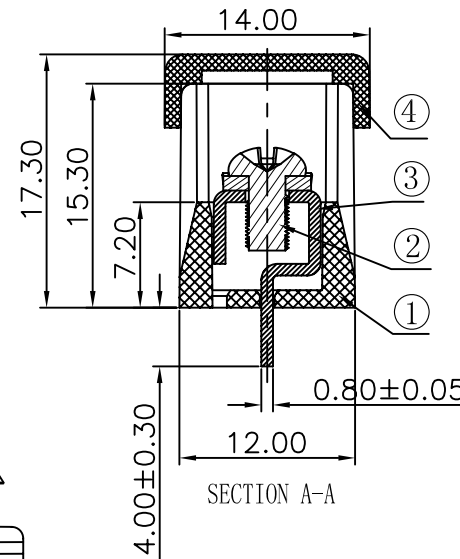


REVISION RECORD					
REV	ECO	DESCRIPTION	DRFT	DATE	
1		增加UL刻字	CSX	03/13/07	
2		品名、料号增加环保标识“(H)”	YeJ	12/08/07	



Notes:

1. Pitch:8.25mm , Poles:2-26P
2. Rated current:15A
3. Rated voltage:300V
4. Operation temperatures:-40° C~+105° C
5. Insulation Withstand Voltage:AC2000V/Min
6. Insulation Resistance:500MΩ /DC500V
7. Wire Range:22~14AWG
8. Max. Torque Value:5.1kgf.cm
9. Undimensioned Tolerances:



Pitch range in mm		Nominal dimension range in mm						
to	over	to	over	to	over	to		
6	10	6	30	60	100	150	∩	
10	24	30	60	100	150		□	
±0.10	±0.15	±0.25	±0.2	±0.3	±0.5	±0.7	±1.0	0.05/10

4	DG38-Cover	5050C07XXA (H)	1	PC	
3	DG28C Pin header	5006B00010 (H)	XX	Brass	SnCe plated
2	M3*6 (6*6) bright Screws	S000000450 (H)	XX	Steel	Ni plated

1	DG38-B housing	5050A0YXXA (H)	1	PA66+23%GF	UL94V-0
ITEM	NAME OF PART	NO. OF PART	Q'TY	MATERIAL	NOTES
TOLERANCES EXCEPT AS NOTED		DFTO Zhuwm DATE 12/28/05		宁波高正电子有限公司 DEGSON ELECTRONICS CO., LTD	
MM (INCH)		CHKD DATE	NAME		
.00 ±		MFO DATE	DG38C-B-XXP-1Y-00A (H)		
.000 ±		APPVL DATE	DRAWING NO. DG38C-E02		
ANGLES ± 1°		MATERIAL :	/PART NO.		
THIRD ANGLE PROJECTION		G.E :	SCALE : 1:1		
		FINISH :	DO NOT SCALE DRAWING		
			SHEET 1 OF 1		